

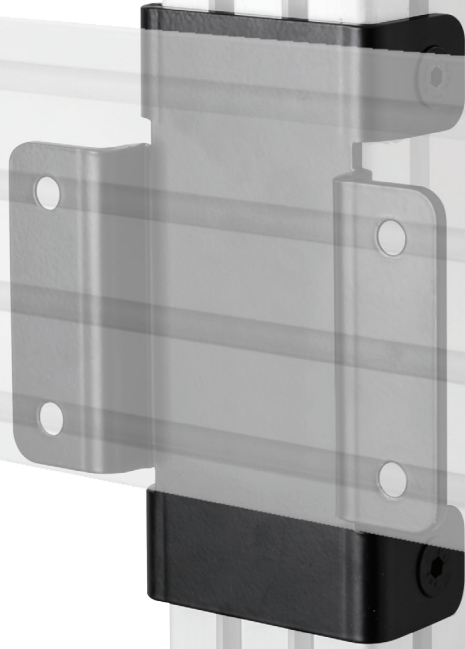


B-TECH AV MOUNTS™

**FIT
MOUNTING
RAILS ONTO
COLUMNS**

BT8380-JPK

SYSTEM X™ JOINING PLATE KIT



Designed to fit BT8390 mounting rails to BT8380 support columns, the BT8380-JPK is a joining plate which is needed to assemble System X freestanding, mobile or bolt-down video wall solutions. The plate is fitted quickly and easily using the provided sliding nuts and countersunk screws, which allow the mounted rail to be positioned anywhere along the length of the column. A row height spacer (BT8390-SP) is also available (separately) to help position multiple rails when installing video walls, without needing to measure out the position of each BT8380-JPK.



SPECIFICATION

Steel thickness	4mm
Brackets supplied per pack	1
Colour	Black

FEATURES

- Used for a variety of different fixed, freestanding or mobile video wall installations
- Also ideal for single and twin screen System X installations
- Included sliding nuts allow rails and columns to be positioned as required to suit the application
- A screen row height spacer (BT8390-SP available separately) allows the BT8380-JPK and mounted rails to be positioned at the required height without needing to measure out the correct distance*
- All mounting hardware included

**Please note the BT8390-SP has preset measurements for the most common video wall screen sizes; 46", 47", 55" and 60" in a landscape orientation.*



Included sliding nuts allow rails and columns to be positioned as required



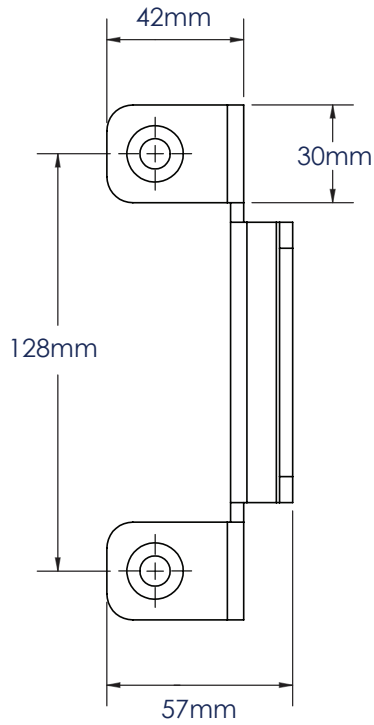
Used for a variety of fixed, freestanding or mobile video wall installations



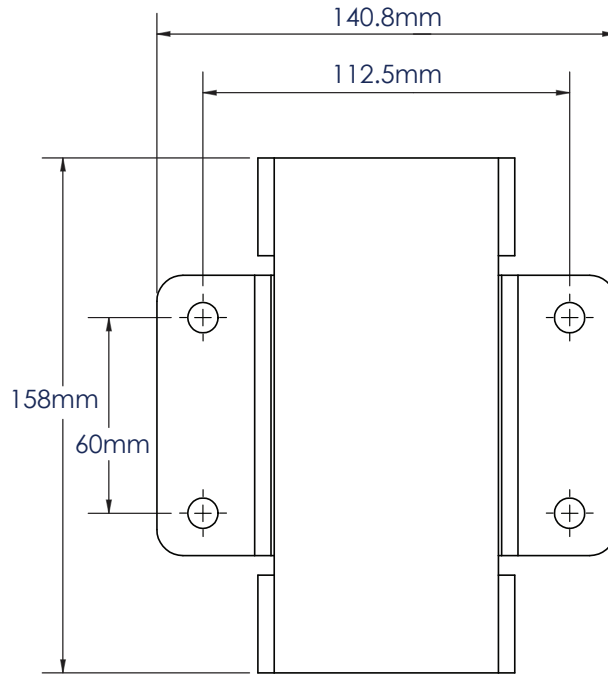
Ideal for single and twin screen System X installations



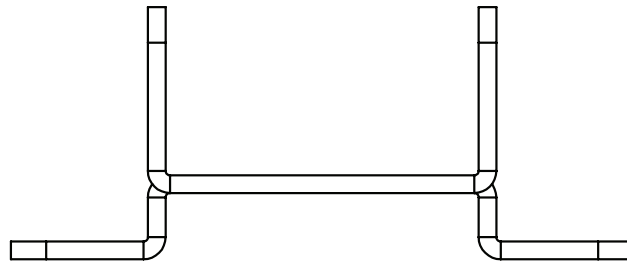
Multiple rows can be spaced apart using BT8390-SP Row Spacing Kit



SIDE VIEW



FRONT VIEW



TOP VIEW

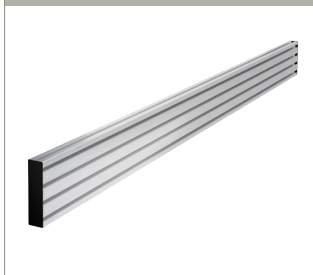
PACKING INFORMATION

ORIGINAL DESIGN BY B-TECH - REGISTERED COMMUNITY DESIGN NO.: 002741256-0018

COLOUR:	ORDER REF:	EAN CODE:	MASTER CARTON QTY:	INNER CARTON QTY:	MASTER CARTON WEIGHT:	MASTER CARTON CUBE:
Black	BT8380-JPK/B	5019318501104	12	0	14.5kg	0.073cbm

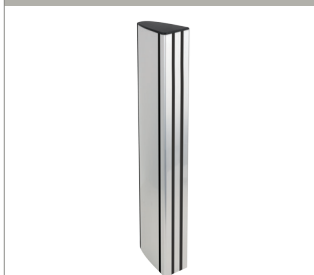
ACCESSORIES AND RELATED PRODUCTS

BT8390-030/050/070/150/175/200



Collar Fixing Kits fit directly to **Mounting Rails** to create a huge range of pole mounted solutions.

BT8380-060/180/240



Vertical Support Column provides a platform for freestanding, mobile or bolt down solutions

BT8380-BASE



Floor Base for Trolleys and Stands designed for creating freestanding or mobile mounting solutions for System X

BT8390-SP



Row Height Adjustment Spacer designed to set the distance between two horizontal mounting rails

© 2018 B-Tech Av Mounts. All rights reserved. The information in this specification is for reference only. B-Tech Av Mounts is a registered trademark of B-Tech Av Mounts. All other trademarks are the property of their respective owners. B-Tech Av Mounts is not responsible for any damage or loss of data caused by improper use of the product. Any reproduction or modification of any part of this specification is strictly prohibited unless prior written permission has been granted by B-Tech Av Mounts. SS-V1-BT8380-JPK-240517